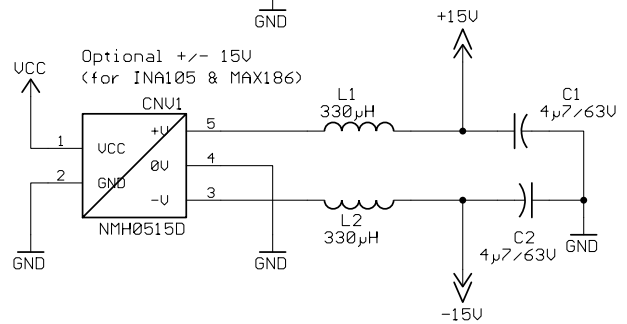
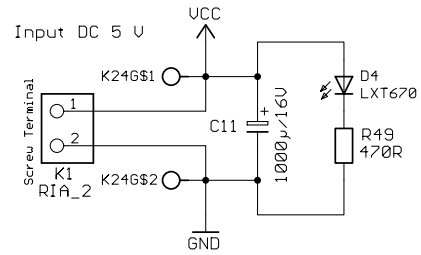
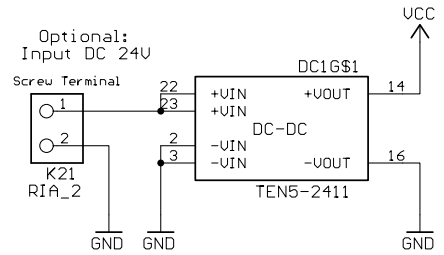
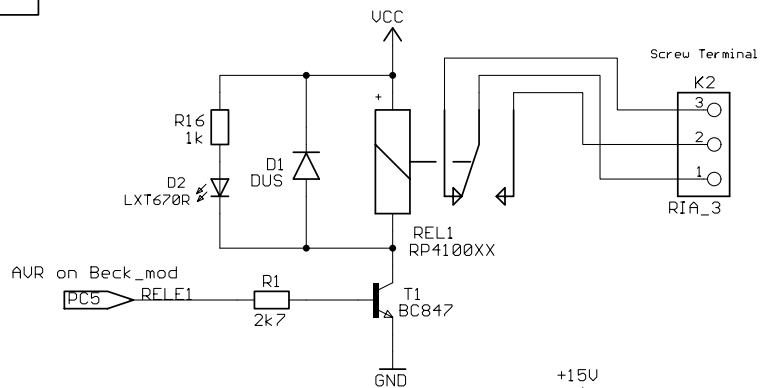
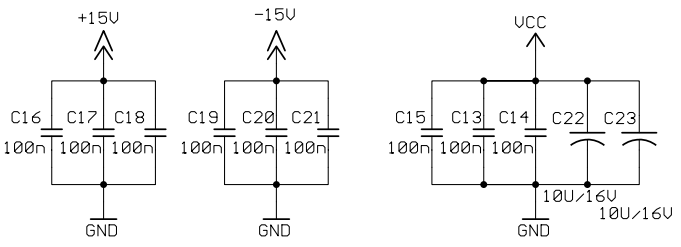
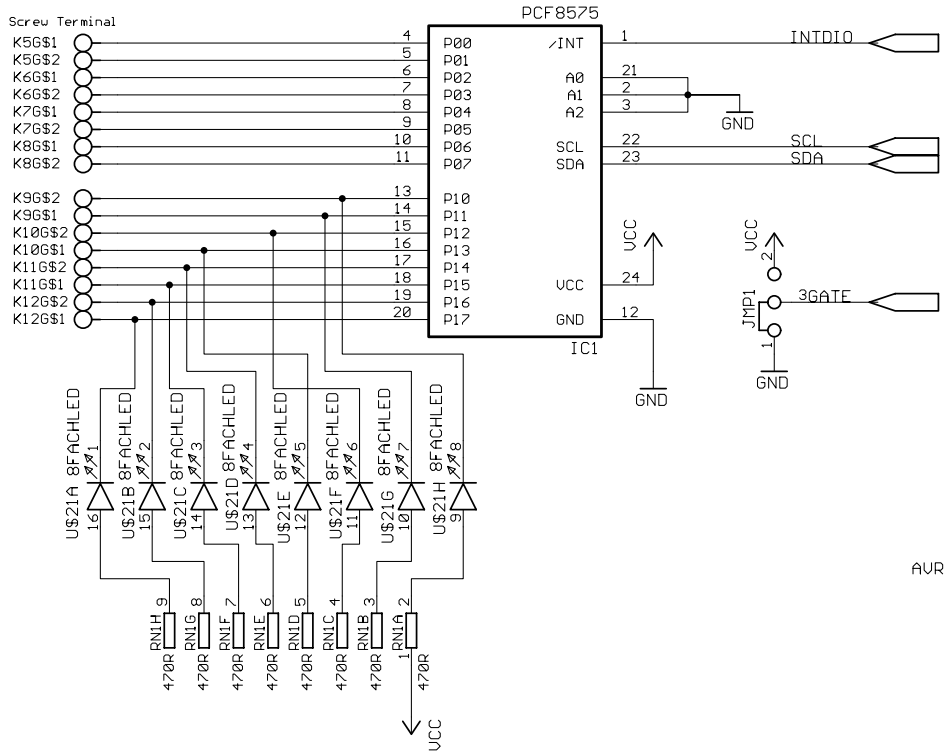


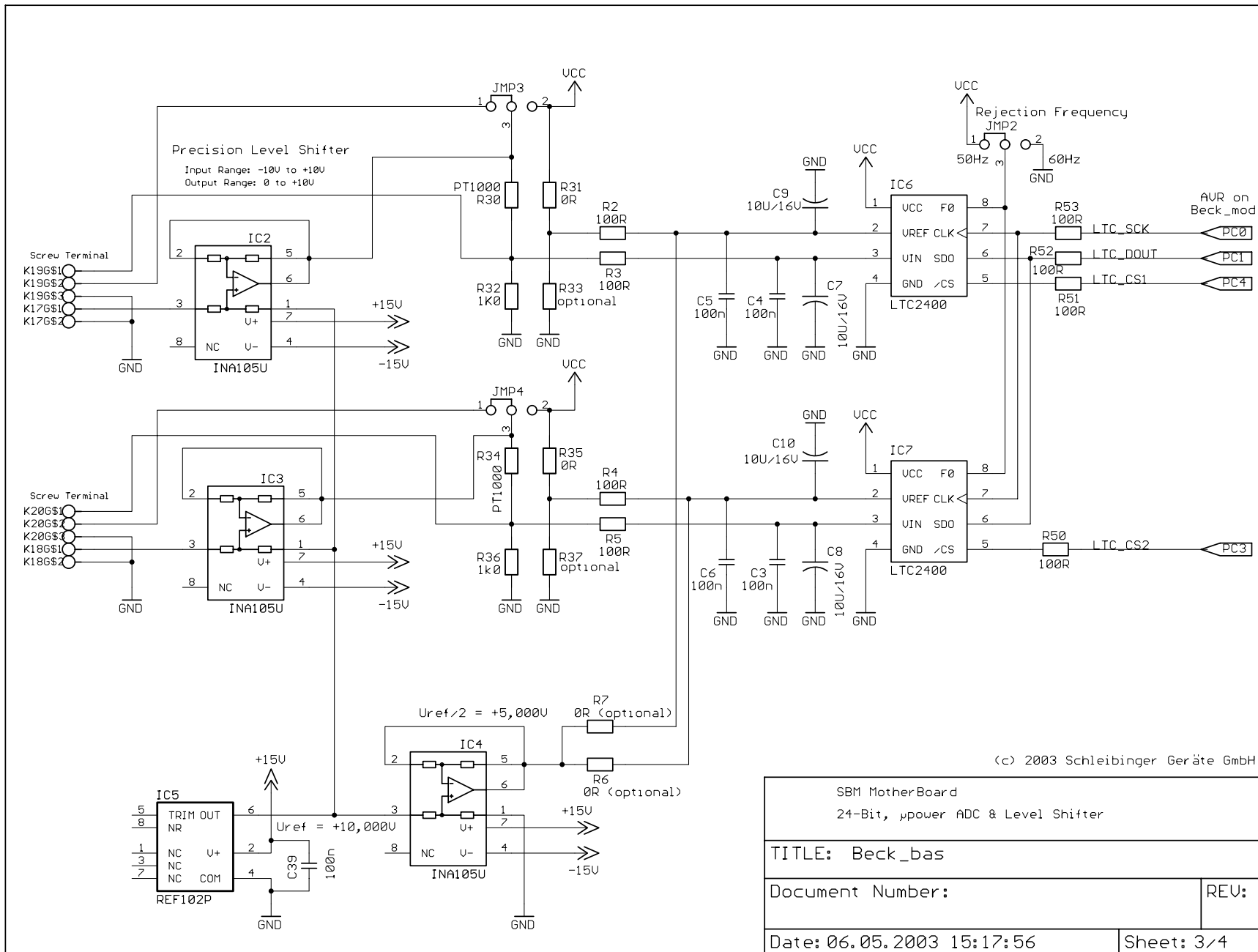
(c) 2003 Schleibinger Geräte GmbH

SBM MotherBoard SBM-Connections, Serial Connectors	
TITLE: Beck_bas	
Document Number:	REV:
Date: 15.04.2003 14:58:58	Sheet: 1/4

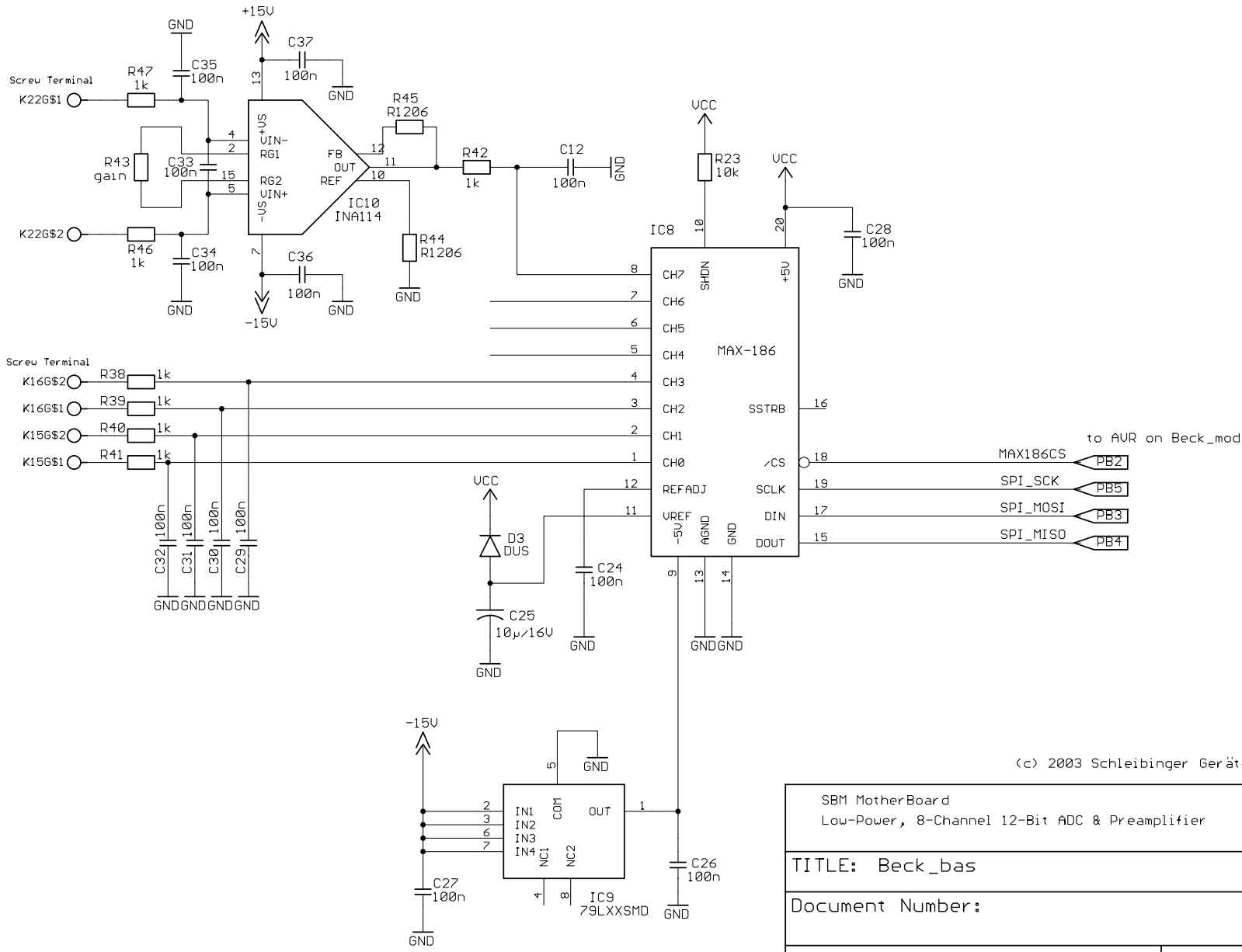


(c) 2003 Schleibinger Geräte GmbH

SBM MotherBoard 16-bit I/O expander, Power supply	
TITLE: Beck_bas	
Document Number:	REV:
Date: 15.04.2003 14:58:58	Sheet: 2/4

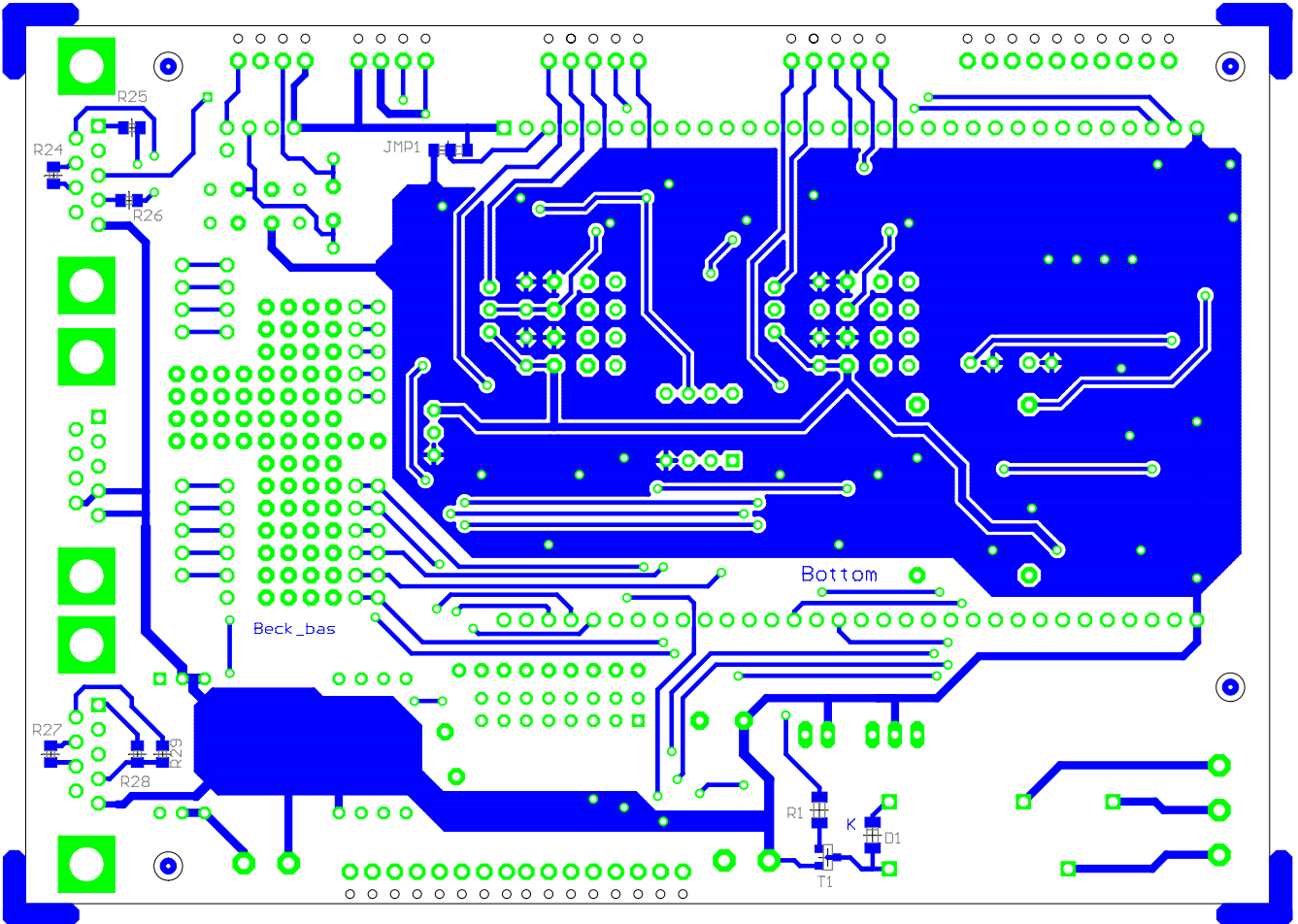


SBM MotherBoard 24-Bit, μ power ADC & Level Shifter	
TITLE: Beck_bas	
Document Number:	REV:
Date: 06.05.2003 15:17:56	Sheet: 3/4



(c) 2003 Schleibinger Geräte GmbH

SBM MotherBoard Low-Power, 8-Channel 12-Bit ADC & Preamplifier	
TITLE: Beck_bas	
Document Number:	REV:
Date: 15.04.2003 14:58:58	Sheet: 4/4



Part	Value	Note	Supplier (Germany)	Order number	Sheet
C2	4µ7/63V	CAP-2,5	Bürklin	12D5846	2
C3	100n	C1206	Bürklin	53D336	3
C4	100n	C1206	Bürklin	53D336	3
C5	100n	C1206	Bürklin	53D336	3
C6	100n	C1206	Bürklin	53D336	3
C7	10µ/16V	10U/16V_SM	Bürklin	25D1046	3
C8	10µ/16V	10U/16V_SM	Bürklin	25D1046	3
C9	10µ/16V	10U/16V_SM	Bürklin	25D1046	3
C10	10µ/16V	10U/16V_SM	Bürklin	25D1046	3
C11	470µ/16V	ELC-5	Bürklin	11D5006	2
C12	100n	C1206	Bürklin	53D336	4
C13	100n	C1206	Bürklin	53D336	2
C14	100n	C1206	Bürklin	53D336	2
C15	100n	C1206	Bürklin	53D336	2
C16	100n	C1206	Bürklin	53D336	2
C17	100n	C1206	Bürklin	53D336	2
C18	100n	C1206	Bürklin	53D336	2
C19	100n	C1206	Bürklin	53D336	2
C20	100n	C1206	Bürklin	53D336	2
C21	100n	C1206	Bürklin	53D336	2
C22	10µ/16V	10U/16V_SM	Bürklin	25D1046	2
C23	10µ/16V	10U/16V_SM	Bürklin	25D1046	2
C24	100n	C1206	Bürklin	53D336	4
C25	10µ/16V	10U/16V_SM	Bürklin	25D1046	4
C26	100n	C1206	Bürklin	53D336	4
C27	100n	C1206	Bürklin	53D336	4
C28	100n	C1206	Bürklin	53D336	4
C29	100n	C1206	Bürklin	53D336	4
C30	100n	C1206	Bürklin	53D336	4
C31	100n	C1206	Bürklin	53D336	4
C32	100n	C1206	Bürklin	53D336	4
C33	100n	C1206	Bürklin	53D336	4
C34	100n	C1206	Bürklin	53D336	4
C35	100n	C1206	Bürklin	53D336	4
C36	100n	C1206	Bürklin	53D336	4
C37	100n	C1206	Bürklin	53D336	4
C38	C1206	C1206			1
C39	100n	C1206	Bürklin	53D336	3
CNV1	NMH0515D	NMH_SIP	Bürklin	26K1788	2
CON1	DB9F/90	DB9F/90	Bürklin	55F6030	1
CON2	DB9F/90	DB9F/90	Bürklin	55F6030	1
CON3	DB9F/90	DB9F/90	Bürklin	55F6030	1
D1	DUS	D1206	Bürklin	24S3460	2
D2	LST670R	LXT670	Bürklin	67S5464	2
D3	DUS	D1206	Bürklin	24S3460	4
D4	LGT670	LXT670	Bürklin	67S4757	2
DC1	TEN5-2411	TEN5-SINGL	rs-components	191-4887	2
F1	RXE110	POLYRXE110	rs-components	333-5810	1
IC1	PCF8575	PCF8575	rs-components	436-8344	2
IC2	INA105U	INA105U	rutronik		3
IC3	INA105U	INA105U	rutronik		3
IC4	INA105U	INA105U	rutronik		3
IC5	LT1019N8-10	REF102P	Bürklin	41S6385	3
IC6	LTC2400	LTC2400	Linear Direct		3

Motherboard for SBM-1

Schleibinger Geräte GmbH

IC7	LTC2400	LTC2400	Linear Direct		3
IC8	MAX-186	MAX-186	rs-components	225-4928	4
IC9	79LXXSMD	79LXXSMD	Bürklin	50S1760	4
IC10	INA114	INA114	SO-16L	Linear1	4
JMP1	"0R"	JUMP_3	Bürklin	10E950	2
JMP2	Wire strap	JUMP_3			3
JMP3	Wire strap	JUMP_3			3
JMP4	Wire strap	JUMP_3			3
K1	LP5.08/2/90	RIA_2	Weidmüller	159282	2
K2	LP5.08/3/90	RIA_3	Weidmüller	159283	2
K3	MPT05-254	MPT05-254	rs-components	220-4260	1
K4	MPT05-254	MPT05-254	rs-components	220-4260	1
K5	MPT05-254	MPT05-254	rs-components	220-4260	2
K6	MPT05-254	MPT05-254	rs-components	220-4260	2
K7	MPT05-254	MPT05-254	rs-components	220-4260	2
K8	MPT05-254	MPT05-254	rs-components	220-4260	2
K9	MPT05-254	MPT05-254	rs-components	220-4260	2
K10	MPT05-254	MPT05-254	rs-components	220-4260	2
K11	MPT05-254	MPT05-254	rs-components	220-4260	2
K12	MPT05-254	MPT05-254	rs-components	220-4260	2
K13	MPT05-254	MPT05-254	rs-components	220-4260	1
K14	MPT05-254	MPT05-254	rs-components	220-4260	1
K15	MPT05-254	MPT05-254	rs-components	220-4260	4
K16	MPT05-254	MPT05-254	rs-components	220-4260	4
K17	MPT05-254	MPT05-254	rs-components	220-4260	3
K18	MPT05-254	MPT05-254	rs-components	220-4260	3
K19	MPT05-2543	MPT05-2543	rs-components	220-4276	3
K20	MPT05-2543	MPT05-2543	rs-components	220-4276	3
K21	LP5.08/2/90	RIA_2	Weidmüller	159282	2
K22	MPT05-254	MPT05-254	rs-components	220-4260	4
K23	MPT05-254	MPT05-254	rs-components	220-4260	1
K24	MPT05-254	MPT05-254	rs-components	220-4260	2
L1	330µH	L-12,5	Bürklin	74D5710	2
L2	330µH	L-12,5	Bürklin	74D5710	2
MOD1	Female Headers	PINHD-2X32	Bürklin	59F6960	1
P1	Female Headers	PIN_01	Bürklin	59F6960	1
P2	Female Headers	PIN_01	Bürklin	59F6960	1
P3	Female Headers	PIN_01	Bürklin	59F6960	1
P4	Female Headers	PIN_01	Bürklin	59F6960	1
P5	Female Headers	PIN_01	Bürklin	59F6960	1
P6	Female Headers	PIN_01	Bürklin	59F6960	1
P7	Female Headers	PIN_01	Bürklin	59F6960	1
P8	Female Headers	PIN_01	Bürklin	59F6960	1
P9	Female Headers	PIN_01	Bürklin	59F6960	1
P10	Female Headers	PIN_01	Bürklin	59F6960	1
P11	Female Headers	PIN_01	Bürklin	59F6960	1
P12	Female Headers	PIN_01	Bürklin	59F6960	1
P13	Female Headers	PIN_01	Bürklin	59F6960	1
P14	Female Headers	PIN_01	Bürklin	59F6960	1
P15	Female Headers	PIN_01	Bürklin	59F6960	1
P16	Female Headers	PIN_01	Bürklin	59F6960	1
P17	Female Headers	PIN_01	Bürklin	59F6960	1
P18	Female Headers	PIN_01	Bürklin	59F6960	1
P19	Female Headers	PIN_01	Bürklin	59F6960	1
P20	Female Headers	PIN_01	Bürklin	59F6960	1
R1	2k7	R1206	Bürklin	11E516	2

Motherboard for SBM-1

Schleibinger Geräte GmbH

R2	100R	R1206	Bürklin	11E448	3
R3	100R	R1206	Bürklin	11E448	3
R4	100R	R1206	Bürklin	11E448	3
R5	100R	R1206	Bürklin	11E448	3
R6	"0R" (optional)	R1206	Bürklin	33E100	3
R7	"0R" (optional)	R1206	Bürklin	33E100	3
R8	Optional				3
R9	Optional				3
R10	Optional				3
R11	Optional				3
R12	Optional				3
R13	Optional				3
R14	Optional				3
R15	Optional				3
R16	1k	R1206	Bürklin	11E496	2
R17	Optional				1
R18	Optional				1
R19	Optional				1
R20	1k00	RESEU-10	R-10	DISCRETE	1
R21	1k00	RESEU-10	R-10	DISCRETE	1
R22	1k00	RESEU-10	R-10	DISCRETE	1
R23	10k	R1206	Bürklin	11E544	4
R24	"0R"	R0805	Bürklin	10E950	1
R25	"0R"	R0805	Bürklin	10E950	1
R26	"0R"	R0805	Bürklin	10E950	1
R27	"0R"	R0805	Bürklin	10E950	1
R28	"0R"	R0805	Bürklin	10E950	1
R29	"0R"	R0805	Bürklin	10E950	1
R30	PT1000				3
R31	0R	Wire strap			3
R32	1K0	RESEU-10	Bürklin	29E9398	3
R33	optional	RESEU-10	R-10	DISCRETE	3
R34	PT1000				3
R35	"0R"	Wire strap			3
R36	1k0	RESEU-10	Bürklin	29E9398	3
R37	optional				3
R38	1k	R1206	Bürklin	11E496	4
R39	1k	R1206	Bürklin	11E496	4
R40	1k	R1206	Bürklin	11E496	4
R41	1k	R1206	Bürklin	11E496	4
R42	1k	R1206	Bürklin	11E496	4
R43	gain	R1206	Bürklin		4
R44	R1206	R1206	Bürklin		4
R45	R1206	R1206	Bürklin		4
R46	1k	R1206	Bürklin	11E496	4
R47	1k	R1206	Bürklin	11E496	4
R48	R1206	R1206	Bürklin		1
R49	470R	R1206	Bürklin	11E480	2
R50	100R	R1206	Bürklin	11E448	3
R51	100R	R1206	Bürklin	11E448	3
R52	100R	R1206	Bürklin	11E448	3
R53	100R	R1206	Bürklin	11E448	3
REL1	RP4100XX	RP4100XX	Bürklin	30G6801	2
RN1	8x470R	GE08R	Bürklin	84E282	2
T1	BC847	SOT-23	Bürklin	12S6268	2
U\$21	RTZ2080-R	8FACHLED	Bürklin	31G7712	2