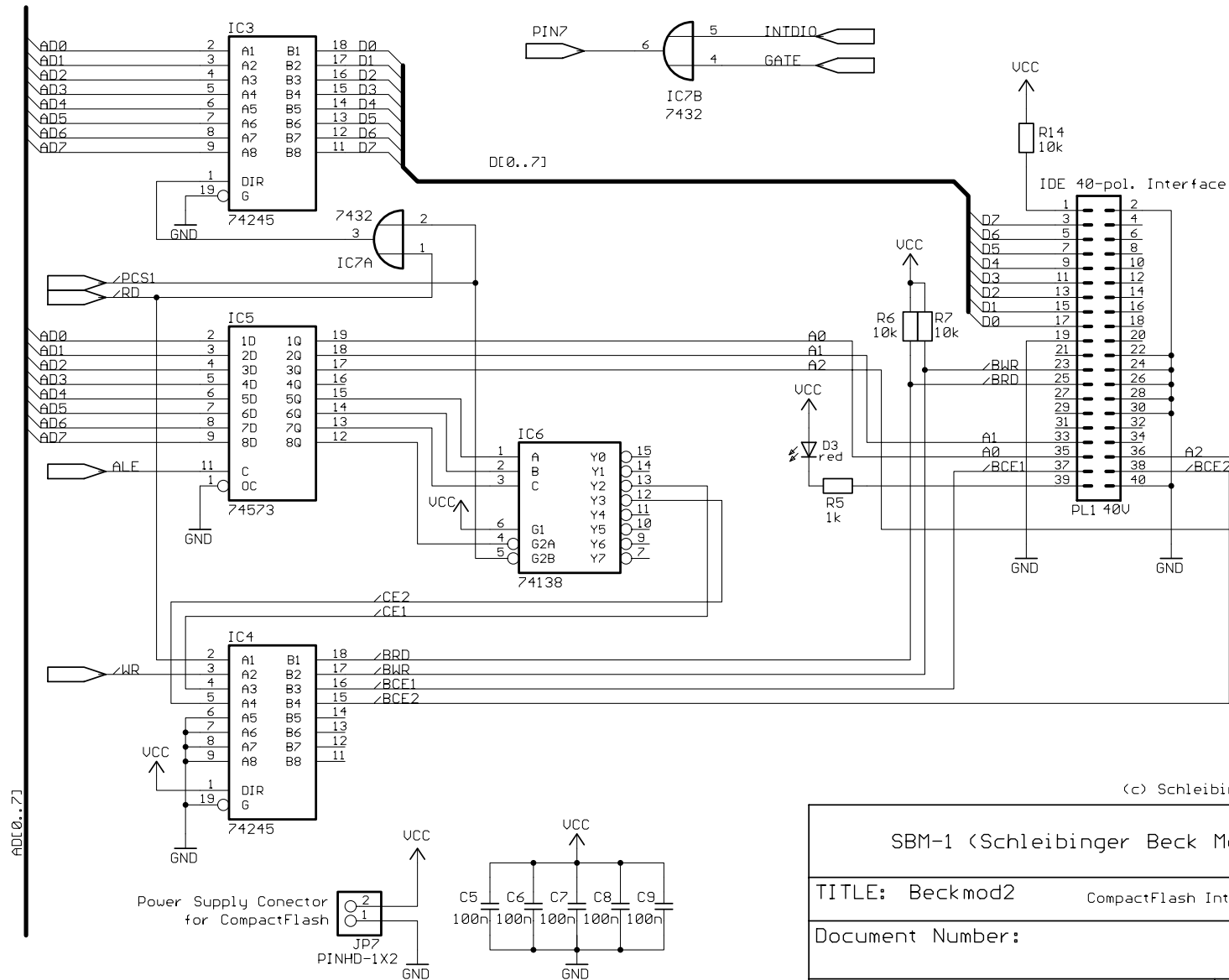


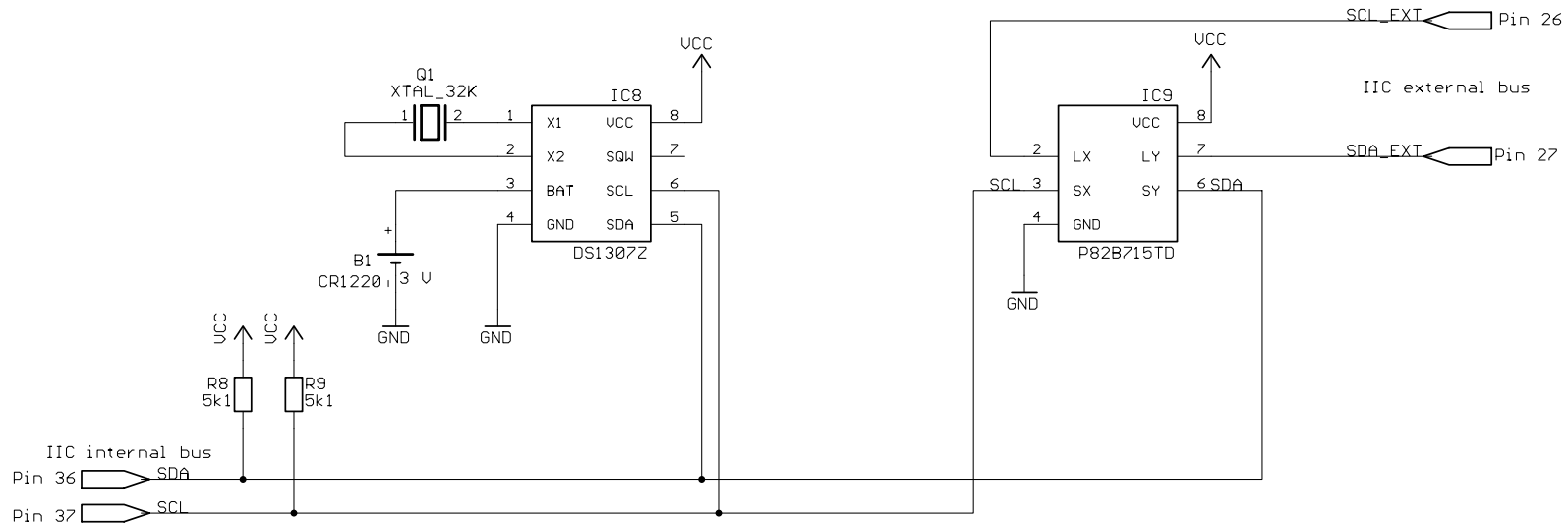
(c) Schleibinger Geräte GmbH

SBM-1 (Schleibinger Beck Modul)	
TITLE: Beckmod2 SC12 & Ethernet Interface	
Document Number:	REV: 03/03
Date: 10.04.2003 22:47:08	Sheet: 1/6



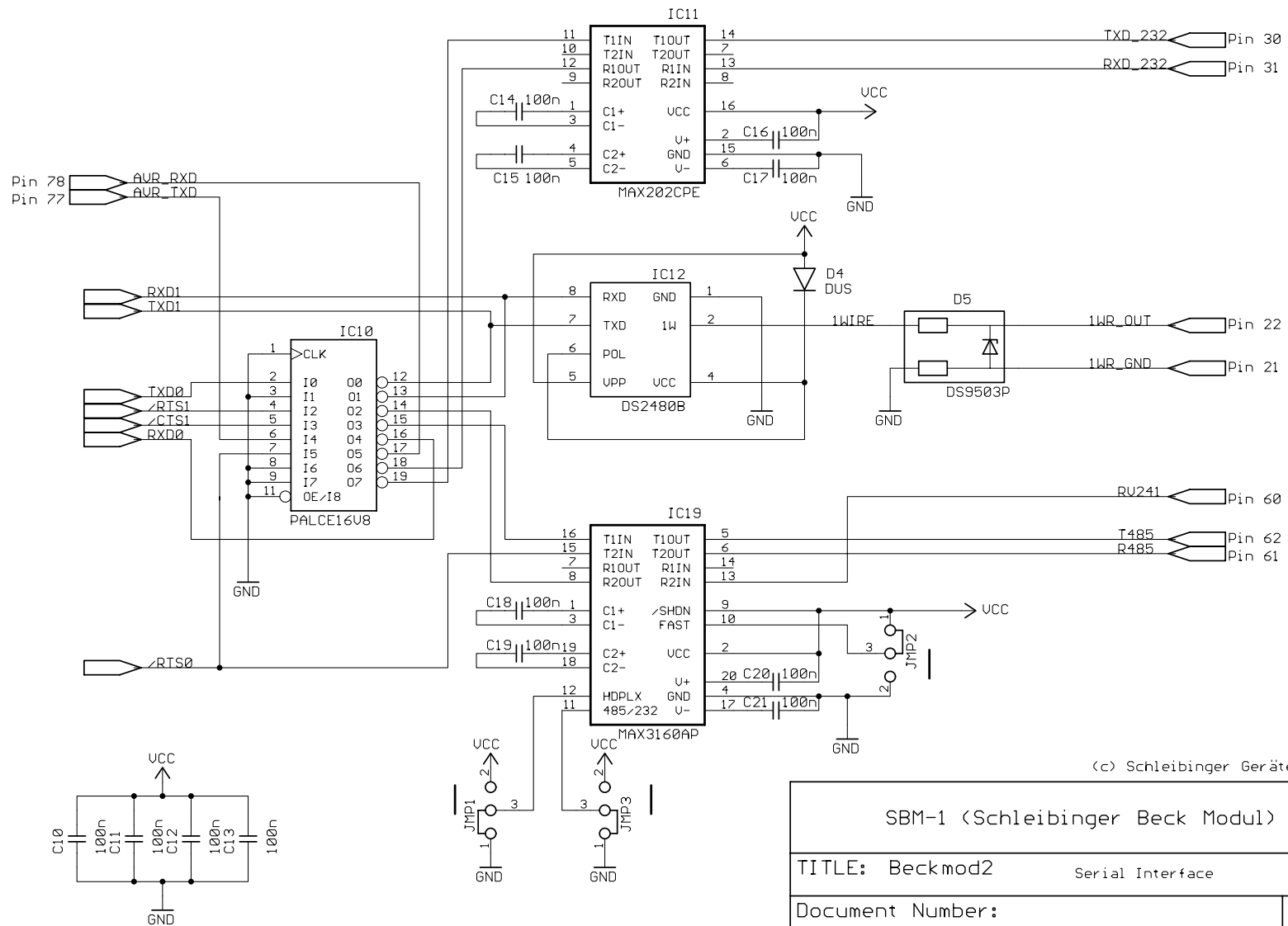
(c) Schleibinger Geräte GmbH

SBM-1 (Schleibinger Beck Modul)	
TITLE: Beckmod2	CompactFlash Interface
Document Number:	REV:
Date: 10.04.2003 22:47:08	Sheet: 2/6



(c) Schleibinger Geräte GmbH

SBM-1 (Schleibinger Beck Modul)	
TITLE: Beckmod2	IIC Section
Document Number:	REV:
Date: 10.04.2003 22:47:08	Sheet: 3/6



(c) Schleibinger Geräte GmbH

SBM-1 (Schleibinger Beck Modul)

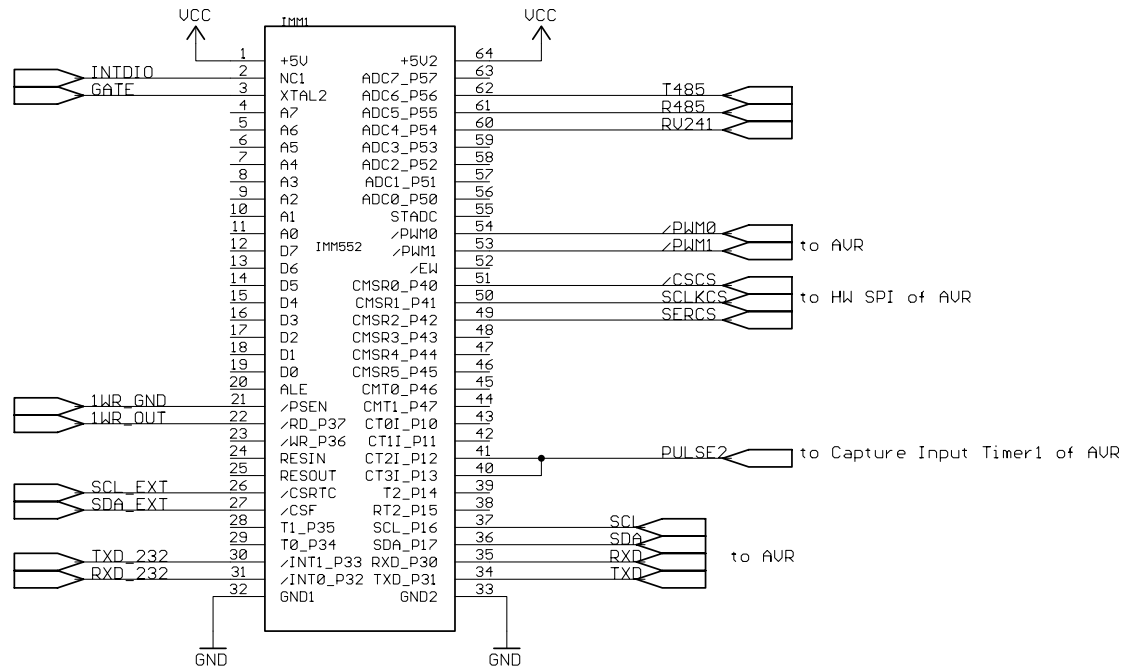
TITLE: Beckmod2 Serial Interface

Document Number:

REV:
03/03

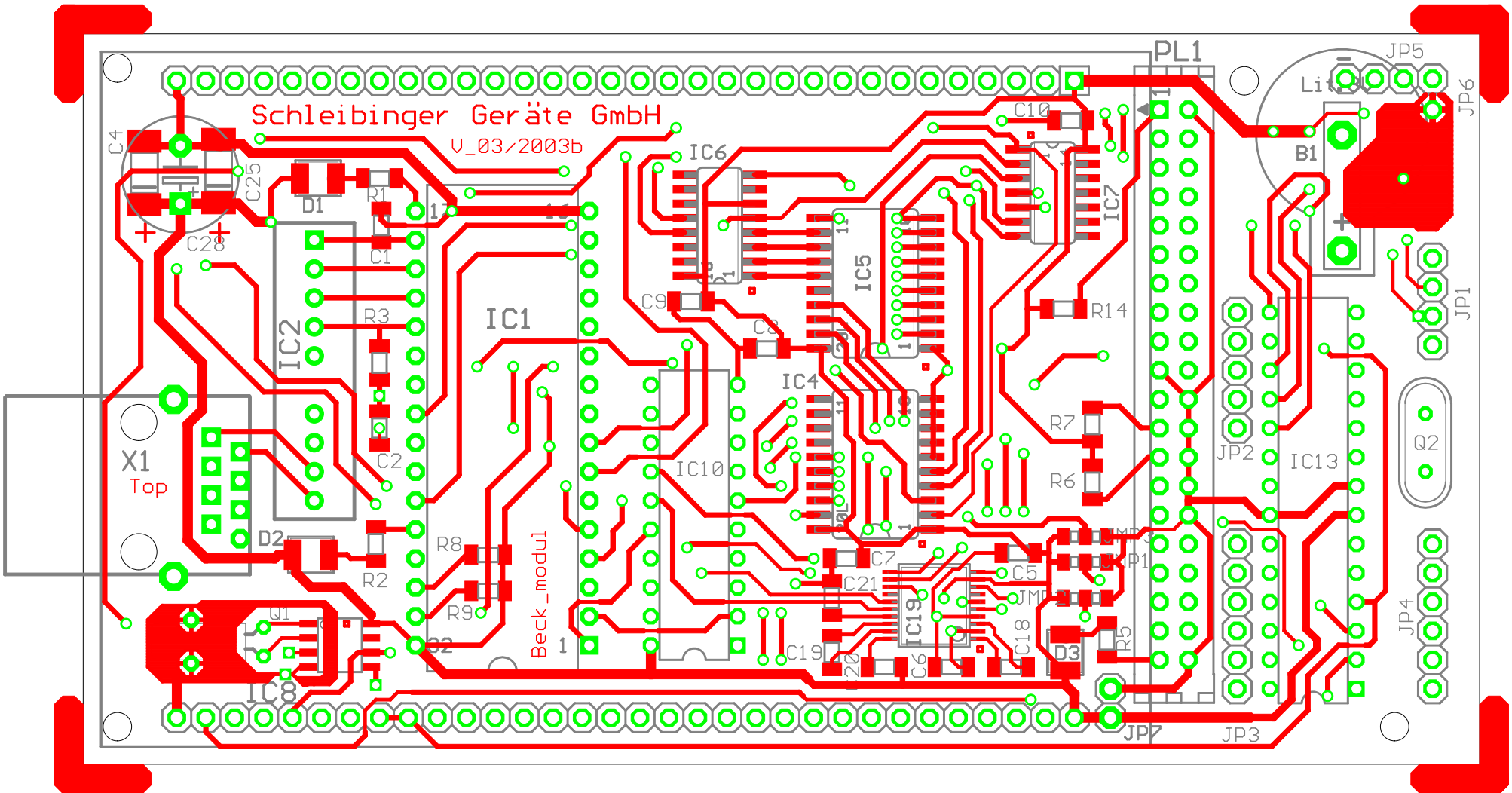
Date: 10.04.2003 22:47:08

Sheet: 4/6



(c) Schleibinger Geräte GmbH

SBM-1 (Schleibinger Beck Modul)	
TITLE: Beckmod2	
Document Number:	REV:
Date: 10.04.2003 22:47:08	Sheet: 5/6



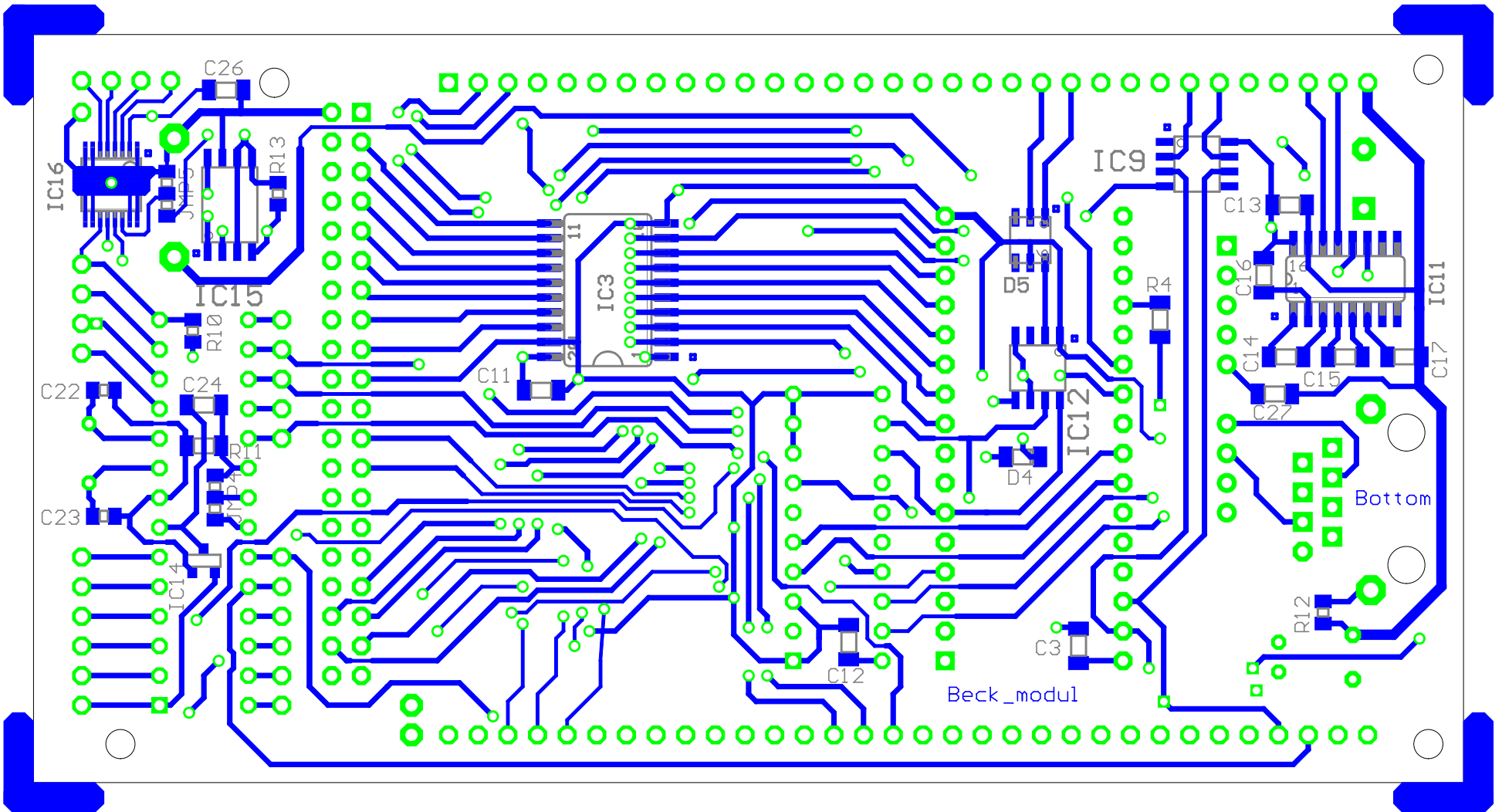
Schleibinger Geräte GmbH

V_03/2003b

Beck_modul.1

X1
Top

PL1



SBM-1 Parts List

Schleibinger Geräte GmbH

Part	Value	Note	Supplier (Germany)	Order number	Sheet
B1	CR1220	Lithium 3V	Bürklin	26A4302	3
B11	Bat. Holder	KE500	Bürklin	28A1027	3
C1	10n	C1206	Bürklin	53D324	1
C2	10n	C1206	Bürklin	53D324	1
C3	100n	C1206	Bürklin	53D336	1
C4	10µ/16V		Bürklin	25D1046	1
C5	100n	C1206	Bürklin	53D336	2
C6	100n	C1206	Bürklin	53D336	2
C7	100n	C1206	Bürklin	53D336	2
C8	100n	C1206	Bürklin	53D336	2
C9	100n	C1206	Bürklin	53D336	2
C10	100n	C1206	Bürklin	53D336	4
C11	100n	C1206	Bürklin	53D336	4
C12	100n	C1206	Bürklin	53D336	4
C13	100n	C1206	Bürklin	53D336	4
C14	100n	C1206	Bürklin	53D336	4
C15	100n	C1206	Bürklin	53D336	4
C16	100n	C1206	Bürklin	53D336	4
C17	100n	C1206	Bürklin	53D336	4
C18	100n	C1206	Bürklin	53D336	4
C19	100n	C1206	Bürklin	53D336	4
C20	100n	C1206	Bürklin	53D336	4
C21	100n	C1206	Bürklin	53D336	4
C22	22pF	C0805	Bürklin	55D132	6
C23	22pF	C0805	Bürklin	55D132	6
C24	100n	C1206	Bürklin	53D336	6
C25	10µ/16V		Bürklin	25D1046	1
C26	100n	C1206	Bürklin	53D336	6
C27	100n	C1206	Bürklin	53D336	1
C28	470µ/16V	ECAP_5	Bürklin	11D5006	1
D1	LED green	LGT670	Bürklin	67S4757	1
D2	LED red	LST670	Bürklin	67S5464	1
D3	LED red	LST670	Bürklin	67S5464	2
D4	DUS	D1206	Bürklin	24S3460	4
D5	DS9503P	DS9503P	Maxim Direct		4
IC1	CHIP SC12	CHIP SC12	Beck GmbH		1
SOC1	IC-Socket 32P		Bürklin	14B1934	1
IC2	FS22-101Y4	TPÜBERTRAG	Beck GmbH		1
IC3	74HC245	74245smd	Bürklin	63S2455	2
IC4	74HC245	74245smd	Bürklin	63S2455	2
IC5	74HC573	74573smd	Bürklin	63S3555	2
IC6	74HC138	74138smd	Bürklin	63S1105	2
IC7	74HC32	7432smd	Bürklin	62S9305	2
IC8	DS1307Z	DS1307Z	rs-components	288-6317	3
IC9	P82B715TD	P82B715TD	rs-components	273-583	3
IC10	PALCE16V8-15	PALCE16V8	rs-components	421-952	4
SOC10	IC-Socket 20P		Bürklin	14B1918	4
IC11	MAX202CPE	MAX202CPE	rs-components	225-8504	4
IC12	DS2480B	DS2480B	Maxim Direct		4
IC13	90S4433-P	90S4433-P	Ineltek		6
SOC13	IC-Socket 28P		Bürklin	14B1930	6
IC14	LM809R	MAX810	rs-components	443-2417	6
IC15	AT45DX041S	AT45DX041S	Ineltek		6
IC16	LTC2415	LTC2415	Linear Direct		6

SBM-1 Parts List

Schleibinger Geräte GmbH

IC19	MAX3160AP	MAX3160AP	Maxim Direct		4
IMM1	Male Headers (opt.)	PINHD-2X32	Bürklin	59F220	5
JMP1	"0R"	JUMP_3	Bürklin	10E950	4
JMP2	"0R"	JUMP_3	Bürklin	10E950	4
JMP3	"0R"	JUMP_3	Bürklin	10E950	4
JMP4	"0R"	JUMP_3	Bürklin	10E950	6
JMP5	"0R"	JUMP_3	Bürklin	10E950	6
JP1	Male Headers (opt.)	Optional	Bürklin	59F220	6
JP2	Male Headers (opt.)	Optional	Bürklin	59F220	6
JP3	Male Headers (opt.)	Optional	Bürklin	59F220	6
JP4	Male Headers (opt.)	Optional	Bürklin	59F220	6
JP5	Male Headers (opt.)	PINHD-1X4	1X04	Pinhead2	6
JP6	Male Headers (opt.)	PINHD-1X1	1X01	Pinhead2	6
JP7	CF Power Supply				2
PL1	Shrouded Male Header	40V	Bürklin	53F4235	2
Q1	32,768kHz	XTAL_32K	Bürklin	78D200	3
Q2	4MHz	XTAL_HC49	Bürklin	78D134	6
R1	470R	R1206	Bürklin	11E480	1
R2	1k	R1206	Bürklin	11E496	1
R3	47R	R1206	Bürklin	11E432	1
R4	47R	R1206	Bürklin	11E432	1
R5	1k	R1206	Bürklin	11E496	2
R6	10k	R1206	Bürklin	11E544	2
R7	10k	R1206	Bürklin	11E544	2
R8	5k1	R1206	Bürklin	11E530	3
R9	5k1	R1206	Bürklin	11E530	3
R10	"0R"	R0805	Bürklin	10E950	6
R11	100R	R1206	Bürklin	11E448	6
R12	"0R"	R0805	Bürklin	10E950	1
R13	10k	R0805	Bürklin	11E544	6
R14	10k	R1206	Bürklin	11E544	2
X1	8/8 DataSocket	cat. 5 shielded	rs-components	437-165	1